
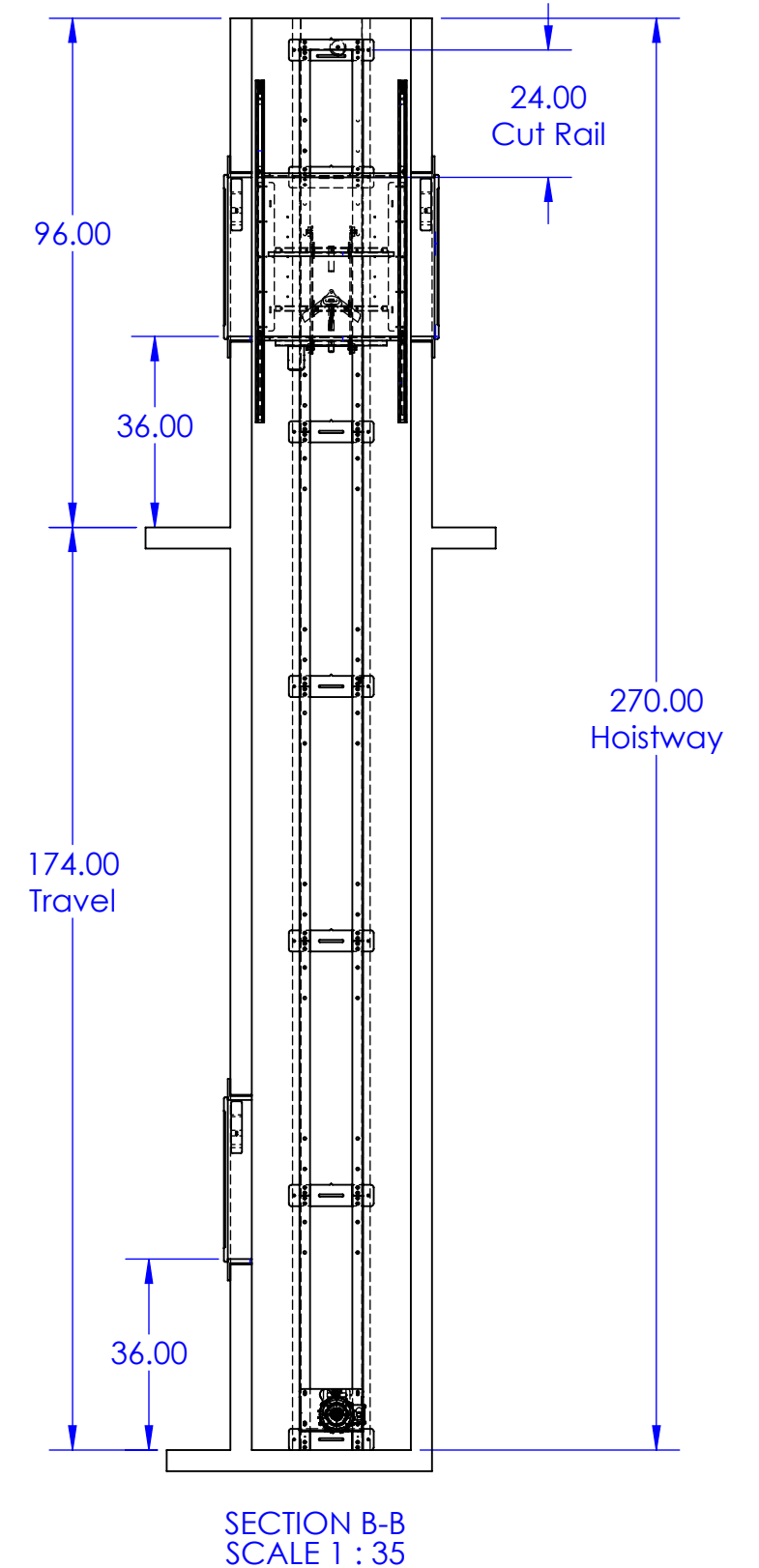
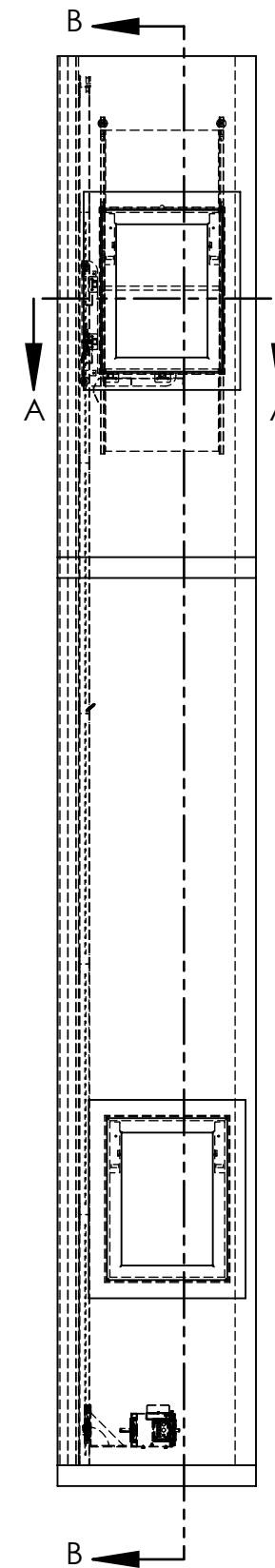
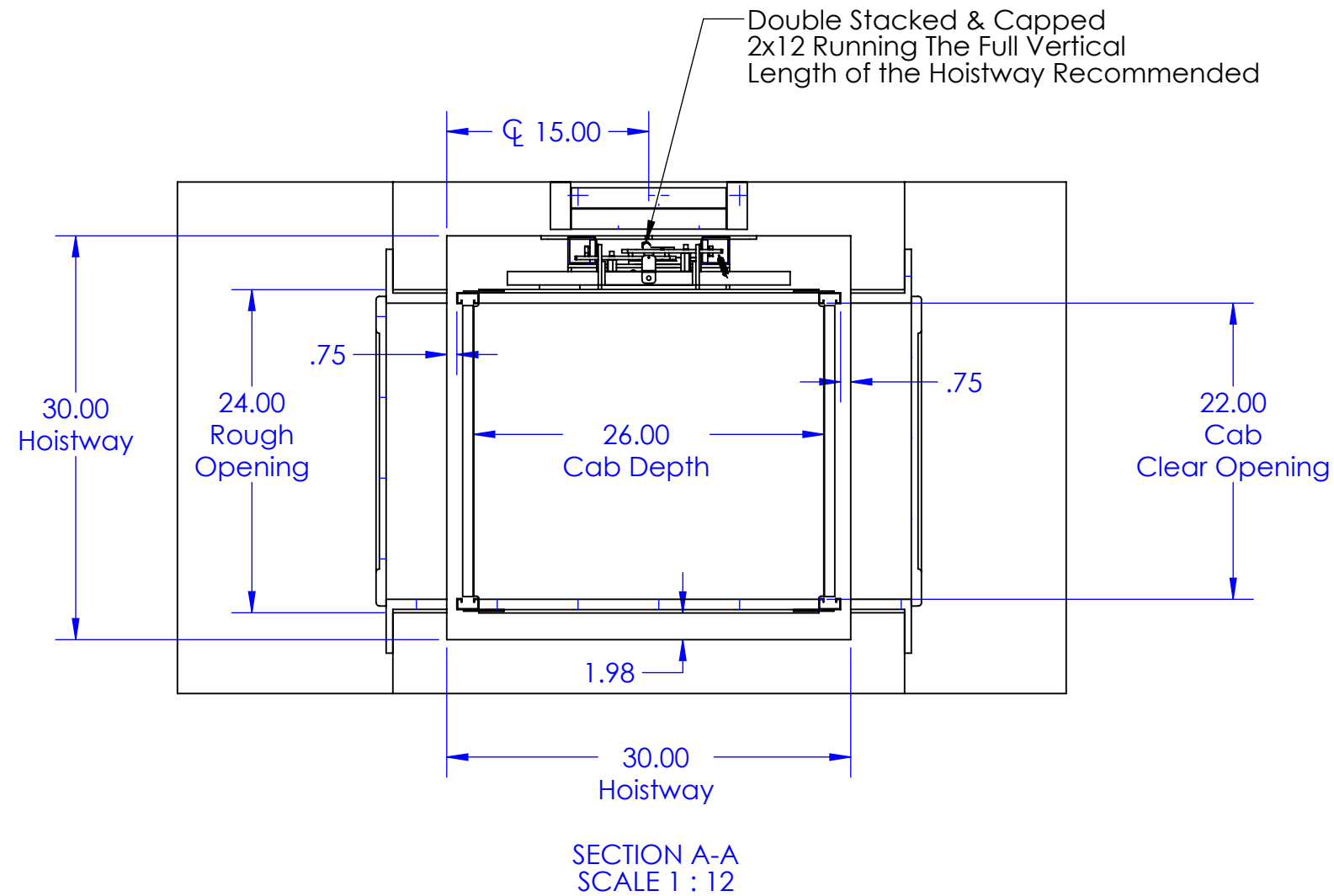


## QS-200 SPECIFICATIONS

MODEL	QS-200
CAPACITY	200lbs
SPEED	32 FPM (Nominal)
DRIVE	SPROCKET DRIVEN GEAR MOTOR
DOOR LOCKS	HONEYWELL RELIALIGN ELECTROMECHANICAL INTERLOCKS
OPERATION	AUTOMATIC OPERATION, MANUAL DOORS
FINISH	White Laminate
ELECTRICAL REQUIREMENTS	CONTROLLER COMES EQUIPPED WITH A 120VAC PLUG/PIGTAIL. REQUIRES A DEDICATED CIRCUIT, 120VAC, 15AMP OUTLET WITHIN SIGHT OF THE LIFT. FOR JURISDICTIONS WHICH REQUIRE THE CONTROLLER TO BE HARDWIRED, HARD WIRE INTO APPROPRIATE DISCONNECTING MEANS.
CONTROL SYSTEM	PLC, RELAY, PLUG'N'PLAY FIELD WIRING
CODE	AMSE 17.1.7



	Cab Size	22x26x30	White Laminate	Pass Through	DO NOT SCALE DRAWING  APPROVAL STATUS: <input type="checkbox"/> APPROVED <input type="checkbox"/> APPROVED AS NOTED <input type="checkbox"/> REVISE AND RESUBMIT SIGNATURE _____	DRAWN: JCE NAME: JCE DATE: 9/10/19	PROPRIETARY AND CONFIDENTIAL  THE INFORMATION CONTAINED IN THIS DRAWING IS THE SOLE PROPERTY OF PRECISION LIFT INDUSTRIES, LLC. ANY REPRODUCTION IN PART OR AS A WHOLE WITHOUT THE WRITTEN PERMISSION OF PRECISION LIFT INDUSTRIES, LLC IS PROHIBITED.	COMMENTS:  SCALE: 1:16 DWG. NO. _____ REV. A
	RH Locks	1	Bottom Mount	200lbs				
	LH Locks	2	Doors & Frames BY OTHERS					



Recommend Front Face of Hoistway Open for Installation



Cab Size	22x26x30	White Laminate	Pass Through
RH Locks	1	Bottom Mount	200lbs
LH Locks	2	Doors & Frames BY OTHERS	

DO NOT SCALE DRAWING
APPROVAL STATUS:
APPROVED
APPROVED AS NOTED
REVISE AND RESUBMIT
SIGNATURE

NAME	DATE
JCE	9/10/19
<b>PROPRIETARY AND CONFIDENTIAL</b> THE INFORMATION CONTAINED IN THIS DRAWING IS THE SOLE PROPERTY OF PRECISION LIFT INDUSTRIES, LLC. ANY REPRODUCTION IN PART OR AS A WHOLE WITHOUT THE WRITTEN PERMISSION OF PRECISION LIFT INDUSTRIES, LLC IS PROHIBITED.	

PROJECT LOCATION	
COMMENTS:	
SCALE 1:16	REV. A
SHEET 2 OF 2	