



SIDE DOOR VAN



- easy installation.
- durable welded fabrication.
- mounts to floor of van inside doorway.
- anti-slip, high traction surface.
- folds in quarters and stores vertically, leaving doorway accessible.
- stores vertically inside doorway
- patented center joint hinge eliminates pinch point and adds strength
- accommodates wheelchairs and scooters with various wheel configurations.



Prairie View Industries, Inc.

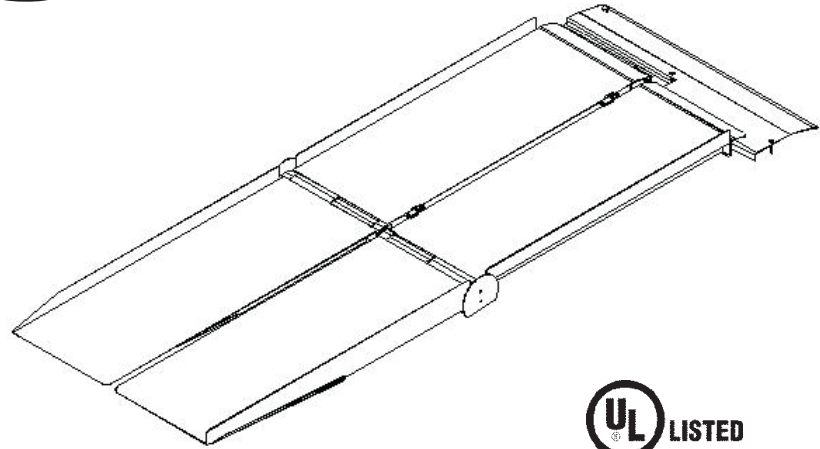
prairie view industries, inc. | ramp division | p.o. box 575 | fairbury, ne 68352-0575
phone 800-554-7267 | fax 402-729-4058 | email info@pviramps.com | www.pviramps.com



Prairie view industries, inc.
RAMPS

access ramps

SIDE DOOR VAN



FEATURES

- easy installation.
- mounts to floor of van inside doorway.
- folds in quarters and stores vertically, leaving doorway accessible.
- patented center joint hinge eliminates pinch point and adds strength
- durable welded fabrication.
- anti-slip, high traction surface.
- accommodates wheelchairs and scooters with various wheel configurations.

SPECIFICATIONS

- maximum ramp capacity: 300 lbs. one axle - 600 lbs. two axles,
- minimum requirement for floor to ceiling opening: 6' ramp - 42", 7' ramp - 46".
- minimum inside door opening required for the SDR626 is 28" wide.
- minimum inside door opening required for the SDR628 / SDR728 is 30" wide.
- listed by Underwriters Laboratories, Inc.

SIDE DOOR VAN					
Item Number	Length (feet)	Width (inches)	Folded Size (inches)	Weight (lbs.)	Capacity* (lbs.)
SDR626	6	26	38 X 13 1/2 X 8 3/4	32	600
SDR628	6	28	38 X 14 1/2 X 8 3/4	33	600
SDR728	7	28	44 1/2 X 16 1/2 X 8 3/4	38	600
* Maximum ramp capacity: 300 lbs. one axle - 600 lbs. two axles.					

Item #:

Model #:

Project #:

Quantity #: